

STEEL *EXPRESS*[®] Foundations

A prefabricated steel stay-in-place form that blends the speed of plate with the economy of cast-in-place

Benefits to You

- Provides ease and speed of foundation installation
- Reduces difficult and hazardous working conditions
- Minimizes site-placed steel reinforcement
- Pick weights and sizes customized to your equipment
- Steel side wall creates a protective, long-term barrier against water side abrasion

Construction Process

1. Excavate and prepare foundation subgrade
2. Unload and place steel foundation sections
3. Fasten adjacent sections and anchor foundation into soil
4. Place and tie reinforcing bars at joints between adjacent sections to provide foundation continuity
5. Backfill the foundation to the top of the footing
6. Set pre-assembled bridge on the foundation (or assemble in place)
7. Fill foundation with cast-in-place concrete.
8. Backfill assembled plate structure

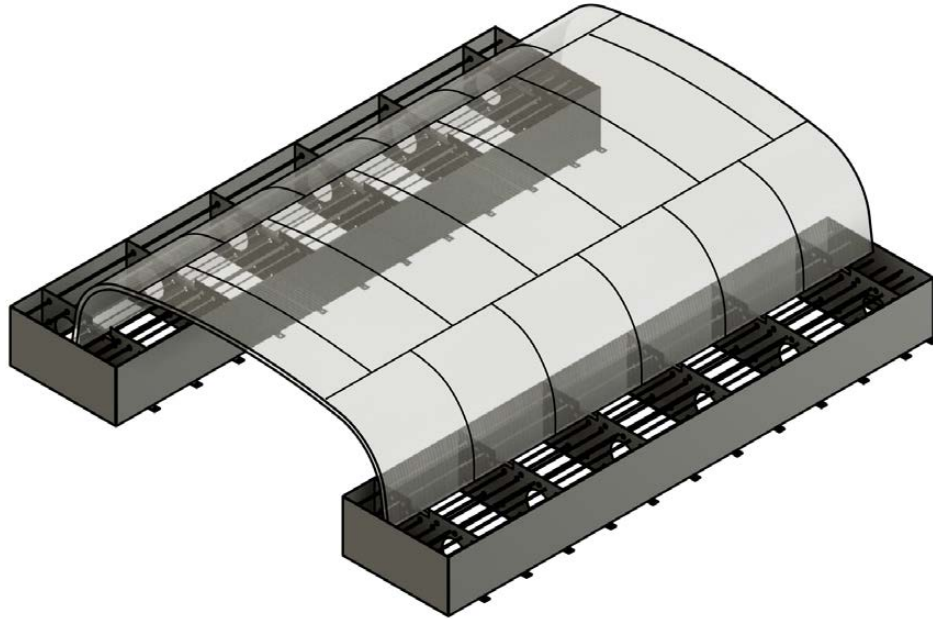


Speed.
Economy.
Continuity.

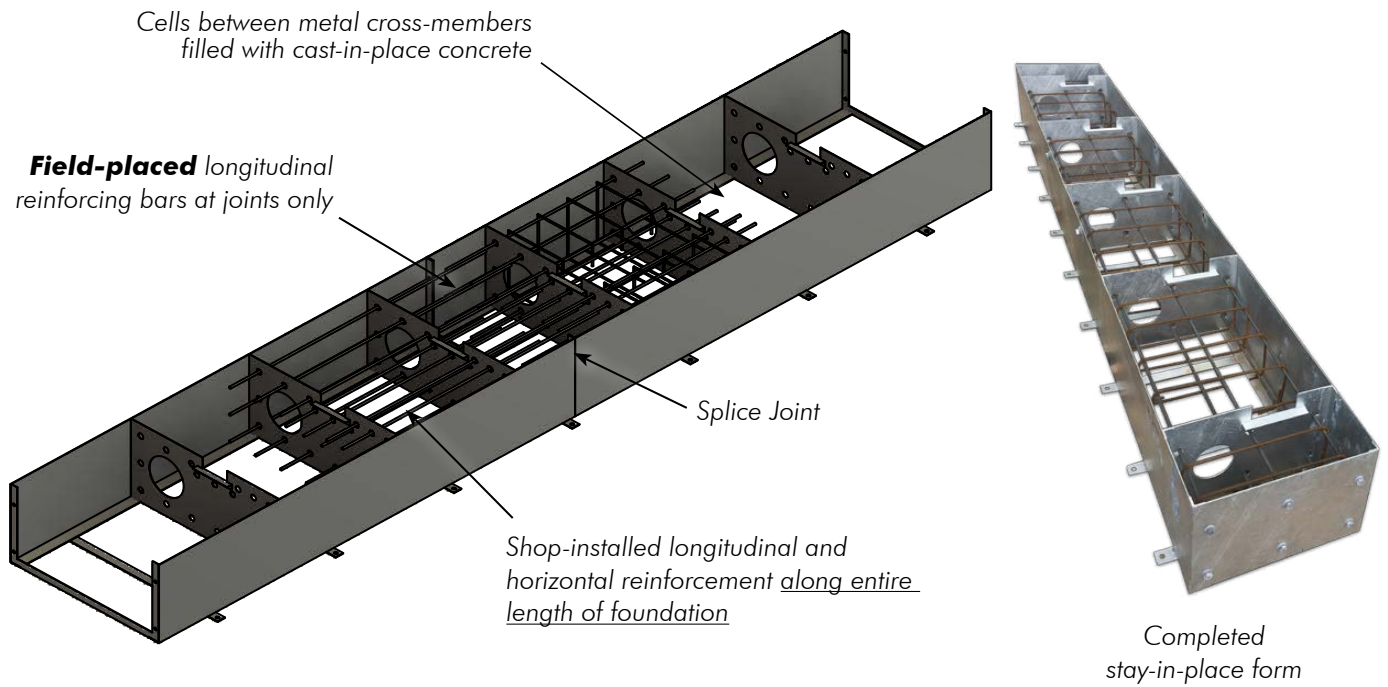
- **Field-placed** splice reinforcement at joints between adjacent sections only
- Steel reinforcement cage installed in plant and in-place when shipped to site
- Cells between plate cross-members filled with cast-in-place concrete



STEEL EXPRESS[®] Foundation Details



FOUNDATION ISOMETRIC



STEEL EXPRESS FOUNDATION SPLICE DETAIL